

**LAVASTOVIGLIE SOTTOTAVOLO
UNDRECOUNTER DISHWASHER****LS5 / WT4**

Code	Type	Ref.	Pagina/ Page
400007	WT4	a	2 3 4 5
400008	WT4B	b	2 3 4 5
400009	WT4D	c	2 3 4 5
400015	WT4DB	d	2 3 4 5
400016	WT46	e	2 3 4 5
400042	WT4D60	i	2 3 4 5
400043	WT4DDG	w	2 3 4 5
400100	LS5/1	f	2 3 4 5
400102	LS5/1DP	g	2 3 4 5
400112	LS5/3	h	2 3 4 5
400113	LS5/3DP	k	2 3 4 5
400124	LS5/1DP60	q	2 3 4 5
400125	LS5/1DPAUS	r	2 3 4 5
400126	LS5/1DPCS	u	2 3 4 5
690004	FL5	l	2 3 4 5
690005	FL5DP	m	2 3 4 5
690006	LV5	n	2 3 4 5
690007	LV5/DP	o	2 3 4 5
690010	UC5/1DP	p	2 3 4 5
690013	LD5DP	s	2 3 4 5
690014	LD5	t	2 3 4 5
690017	UC5/1	v	2 3 4 5
690018	UC5/1DP	z	2 3 4 5
690027	FL5DDG	x	2 3 4 5

Pagina/ Page**Indice/ index**

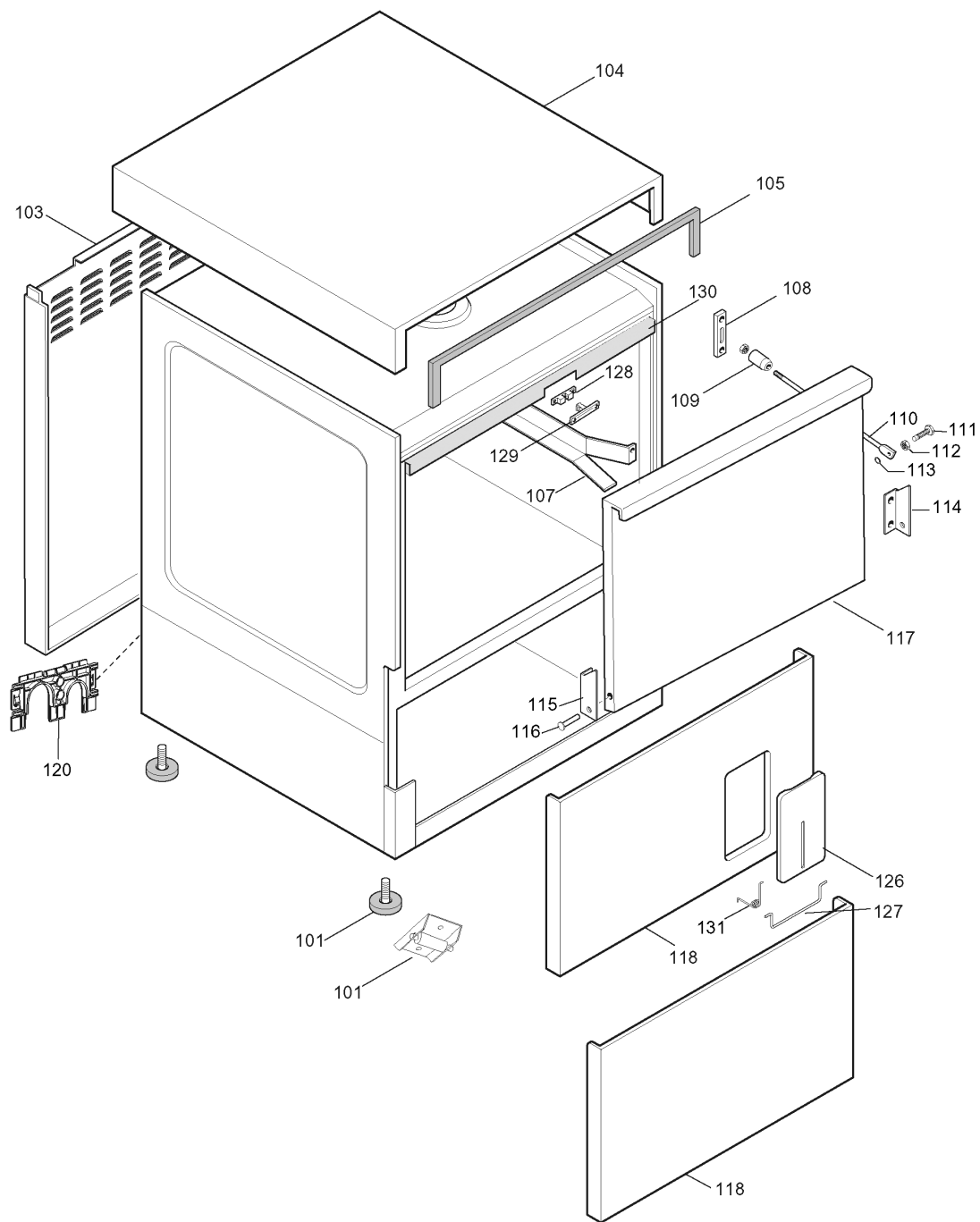
2	Vista generale / Main view
3	Componenti idraulici / Hydraulic components
4	Circuito idraulico / Hydraulic circuit
5	Componenti elettrici / Electrical components
6 - 10	Lista ricambi / Spare parts list

Marchio/ Brand: Z - A - F - E**Paese/ Country:** Tutti/ All

Da Ser.Nr./From Ser.nr.: /219...

Page: 1 Ed.2008-05

Doc. Nr.: 6-12 003



ill. 612003p2
Vista generale / Main view

Da Ser.Nr./From Ser.nr.: /219...

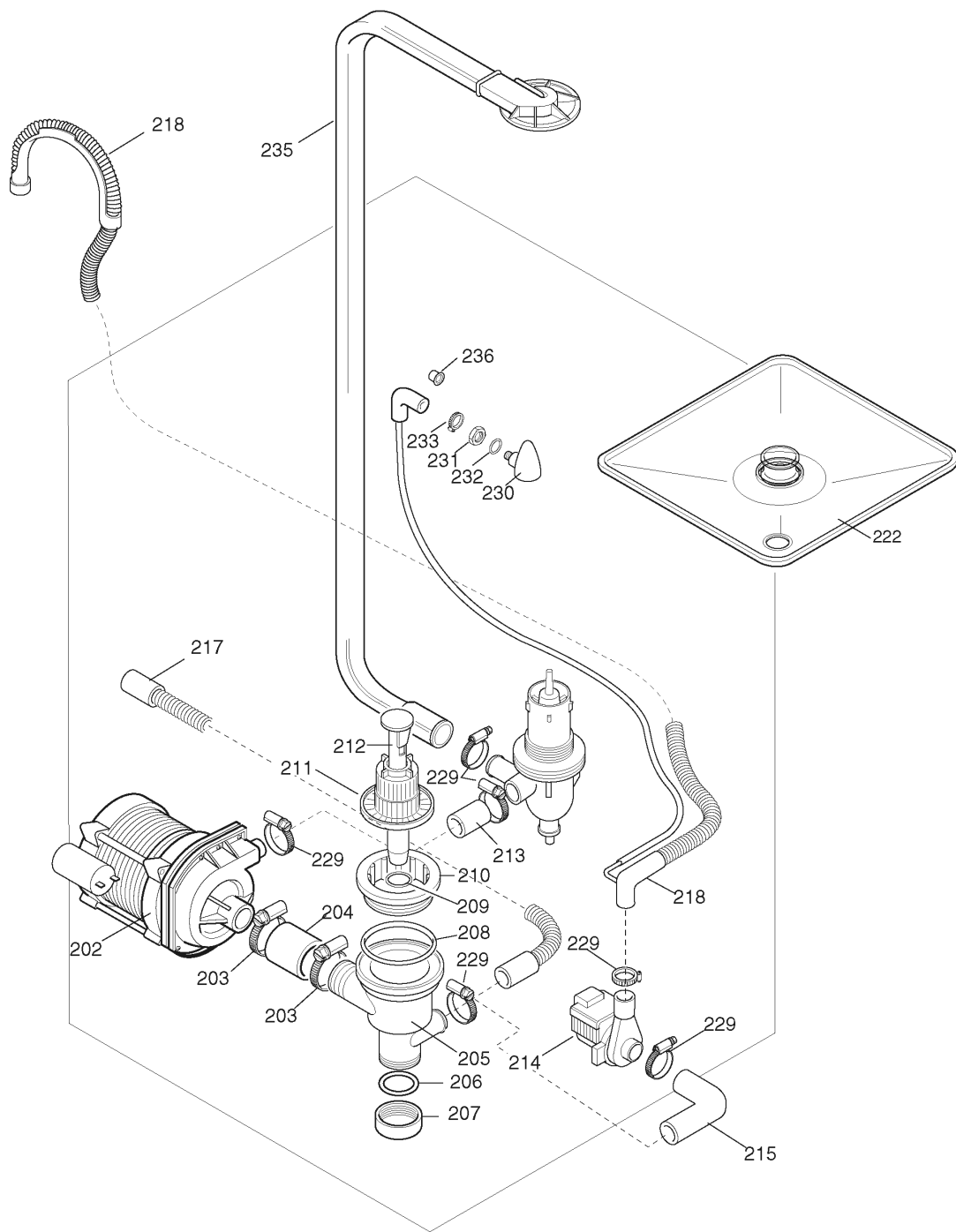
Page: 2 Ed.2008-02

Doc. Nr.: **6-12 003**

Модель: 400102 - LS5/1DP - UNDERC. DISHW.+DRAIN PUMP 540 P/H-1PHASE

Список запчастей Чертеж: 6-12003 Страница 2 - Main view

Поз.	Код запчасти	Alias Code	Заменена	Kit	S	Ин ф	Тех. Бюллетень	Описание	Заметки
0101	049393				S			LEVELLING FOOT	
0103	049949					D		BACK PANEL	Up to ser nr:244
0103	0L0123							BACK	From ser nr:245
0104	049948					D		LID	Up to ser nr:244
0104	0L0122							COVER	From ser nr:245
0105	046583				S			GASKET; 1PZ=5MT	
0107	049272							SUPPORT	
0107	049273							SUPPORT	
0108	049285				S			PLAQUE	
0109	049286				S			SHOCK ABSORBER	
0110	049282				S			TIE ROD	
0111	049283				S			TIE ROD PIN	
0112	049372				S			NUT	
0113	049284				S			RING	
0114	049279							HINGE	
0115	049280							HINGE	
0116	049281							PIN	
0117	049951							DOOR	
0118	049950							FRONT PANEL	Up to ser nr:244 f,g,h,k,l,m,n,o,p,q,r
0118	049974							FRONT PANEL	Up to Ser N 649 f,g,h,k,l,m,n,o,p,q,r,u,v,z
0118	049985							FRONT PANEL; LS5	From Ser N 650 - Up to ser nr:806 a,b,c,d,e,i,f,g,h,k,l,m,n,o ,p,q,r,u,v,z
0118	0L1649							FRONT PANEL; LS5	From ser nr:807 w,a,b,c,d,e,i,f,g,h,k,l,m, n,x,o,p,q,r,u,v,z
0119	047551				S			LID	
0120	0L0112							COVERING	From ser nr:245
0126	048363							DOOR	Up to Ser N 649
0127	049023							SPRING	Up to Ser N 649
0128	049271				S			LATCH	
0129	049536				S			CATCH	
0130	0L0021				S			GASKET	
0131	048279							SPRING	Up to Ser N 649



ill. 612003p3
Componenti idraulici / Hydraulic components

Da Ser.Nr./From Ser.nr.: /219...

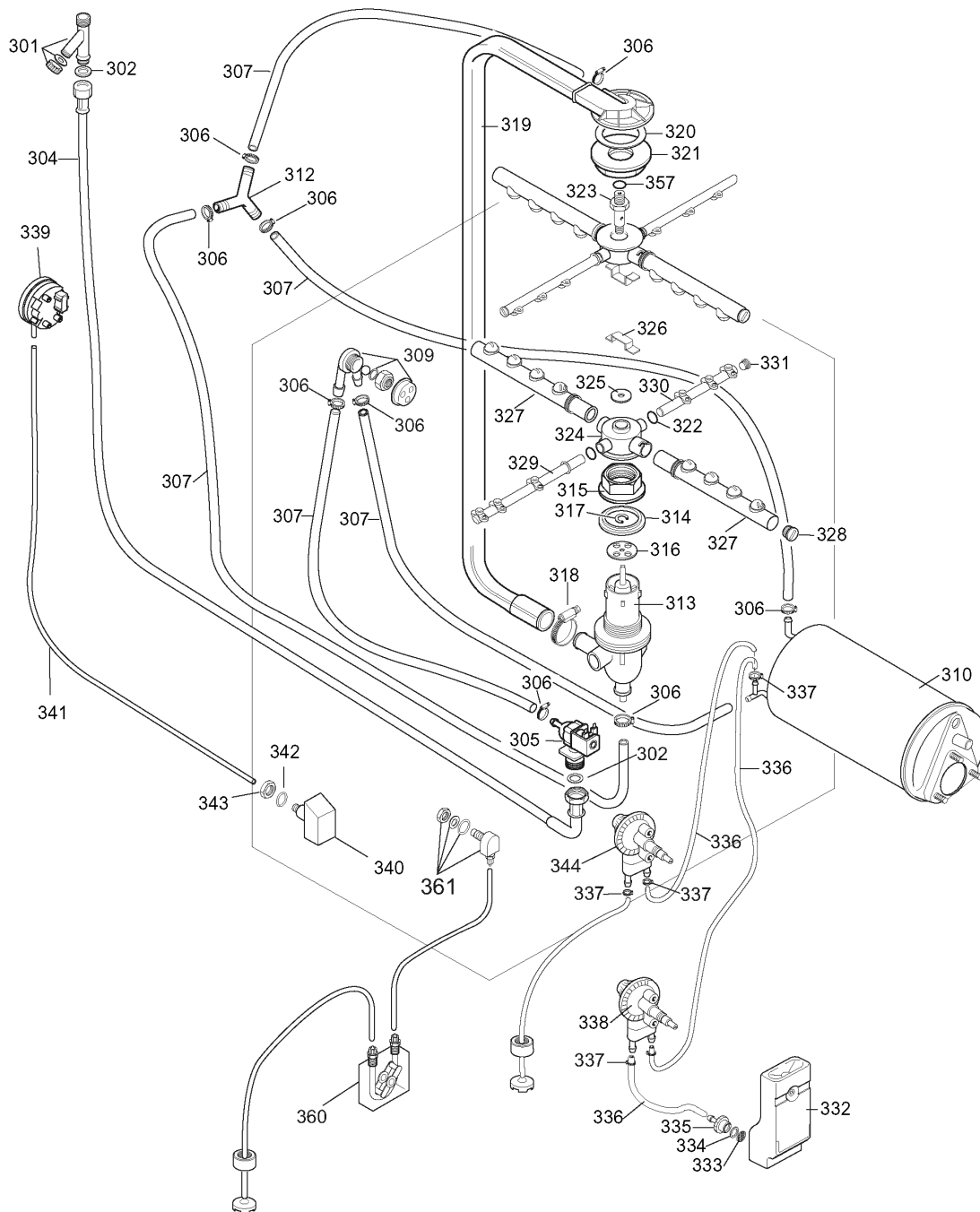
Page: 3 Ed.2002-06

Doc. Nr.: **6-12 003**

Модель: 400102 - LS5/1DP - UNDERC. DISHW.+DRAIN PUMP 540 P/H-1PHASE

Список запчастей Чертеж: 6-12003 Страница 3 - Hydraulic components

Поз.	Код запчасти	Alias Code	Заменен на	Kit	S	Ил ф	Тех. Бюллетень	Описание	Заметки
0202	0L0126				S			WASH PUMP; 230V 1P 50HZ	From ser nr:650 a,c,f,g,p,r,u,v,z,w,x
0203	046855				S			HOSE CLAMP	
0204	0L0259				S			JUNCTION	
0205	048325			X	S			DRAIN MANIFOLD	
0206	049828				S			GASKET	
0207	046596				S			STOPPLE	
0208	049894				S			O-RING	
0209	046799				S			O-RING	
0210	048326				S			RING	
0211	048324			X	S			PUMP SUCTION FILTER	
0212	048842				S			DRAIN PIPE	c,d,g,k,m,o,p,r,s,i,q,u,z, w,x
0213	046257				S			HOSE; L=430 MM	
0214	048844							DRAIN PUMP; 230V 50HZ	50 hz - Up to ser nr:518 c,d,g,k,m,o,p,r,s
0214	0L0690		0L0692					DRAIN PUMP; 220V 50HZ; ASKOLL TP SC	50 hz - From ser nr:519 c,d,g,k,m,o,p,r,s,u,z,w,x
0215	049877				S			SLEEVE	
0218	049878				S			HOSE	c,d,g,k,m,o,p,i,q,r,s,u,z, w,x
0229	046878				S			HOSE CLAMP	
0230	048853				S			AIR CHAMBER	
0231	049268				S			NUT; M14X1,5	
0232	068642				S			O-RING	
0233	046946				S			HOSE CLAMP	
0235	049291		0L0125					HOSE	Up to ser nr:244
0235	0L0125				S			PIPE	From ser nr:245
0236	049849							STOPPER	



iii. 612003p4A
Circuito idraulico / Hydraulic circuit

Da Ser.Nr./From Ser.nr.: /219...

Page: 4 Ed.2006-11

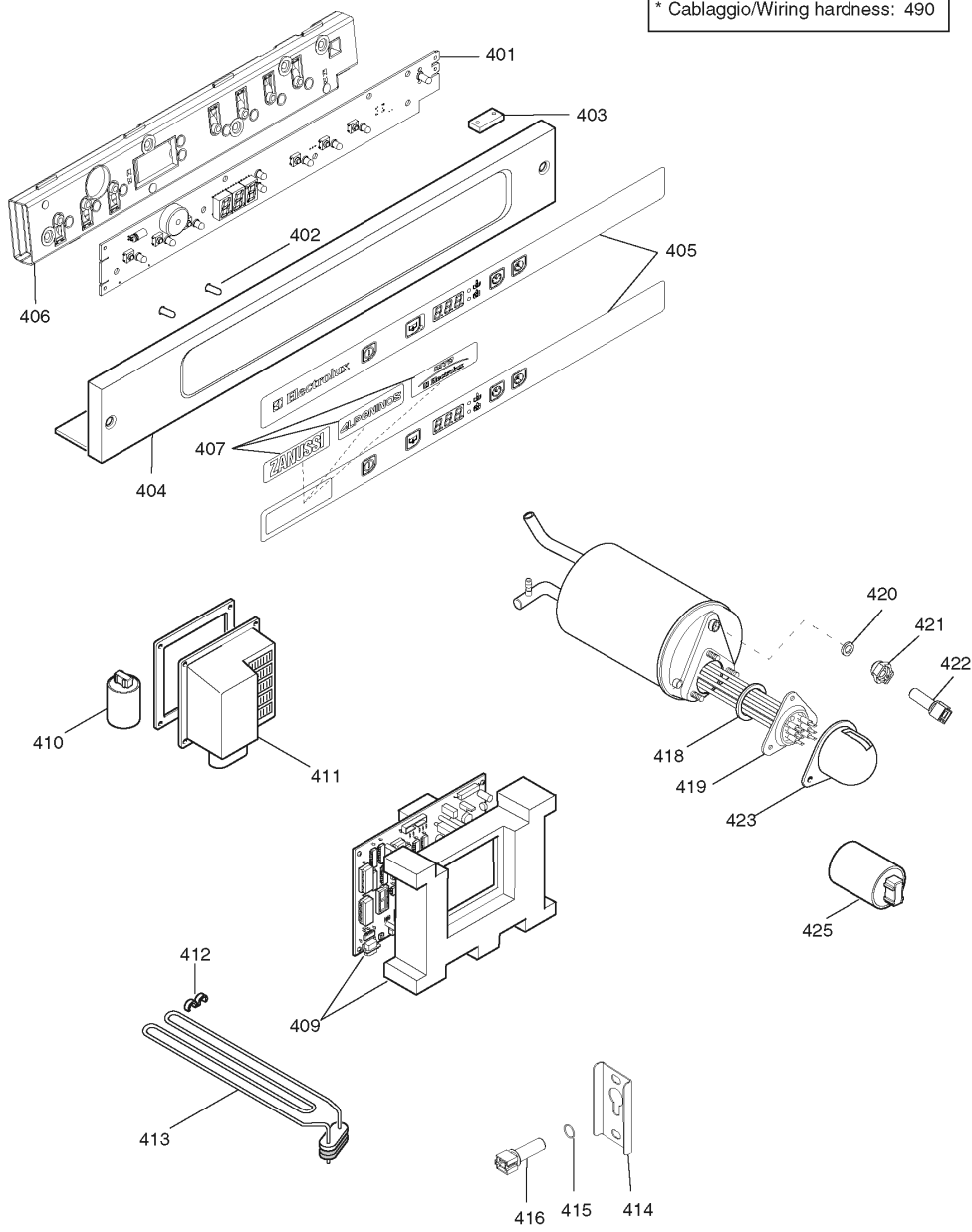
Doc. Nr.: **6-12 003**

Модель: 400102 - LS5/1DP - UNDERC. DISHW.+DRAIN PUMP 540 P/H-1PHASE

Список запчастей Чертеж: 6-12003 Страница 4 - Hydraulic circuit

Поз.	Код запчасти	Alias Code	Заменена	Kit	S	Иф	Тех. Бюллетень	Описание	Заметки
0301	048834				S			STRAINER	
0302	046925				S		CGX2002-08	GASKET; DIA 3/4"	
0304	048816					C		HOSE	not for "r,u"
0305	048817				S			SOLENOID VALVE; ES90 230V, 5 STEP	
0306	048126				S			CLIP; 13-20	
0307	048531				S			RUBBER HOSE; BY METER	
0309	049332							VALVOLA NON RITORNO; DVGW	
0310	049958							BOILER	Up to ser nr:327
0310	0L0352							BOILER; ASS.	From ser nr:328
0312	048195				S			CONNECTION	
0313	049290							SUPPORT	
0314	048236				S			GASKET	
0315	048330				S			RING NUT	
0316	048820				S			SHUTTER	
0317	048979				S			SNAP RING	
0318	046878				S			HOSE CLAMP	
0319	049291		0L0125					HOSE	Up to ser nr:244
0319	0L0125				S			PIPE	From ser nr:245
0320	048823				S			GASKET	Up to ser nr:244
0320	0L0110				S			GASKET	From ser nr:245
0321	048824				S			RING NUT	
0322	047473				S			O-RING	
0323	049292				S			PIN	
0324	049293				S			HUB FOR JETS	
0325	047282				S			WASHER	
0326	049294				S			PROTECTION	
0327	049295				S			WASHING JET	
0328	049296				S			LOCK	
0329	049297				S			RINSE JET	
0330	049298				S			RINSE JET	
0331	049299				S			RINSE ARM PLUG	
0332	049975							WETTING AGENT CONTAINER	Up to Ser N 649
0333	049022				S			STRAINER	Up to Ser N 649
0334	067292				S			OR 115; 2,62X11,91	
0335	049026				S			RUBBER HOLDER	Up to Ser N 649
0336	048883				S			RUBBER HOSE; 5X12, 1PC=2300MM	
0337	046946				S			HOSE CLAMP	
0338	049484				S			HYDRAULIC RINSE AID DISPENSER	Up to Ser N 649
0339	049881				S		CGX2004-07	PRESSURE SWITCH	
0340	048308				S			AIR TRAP	
0341	049904				S			HOSE	
0342	068642				S			O-RING	
0343	049268				S			NUT; M14X1,5	
0344	0L0094				S	C		RINSE AID DISPENSER	From ser nr:650
0357	047986				S			GASKET	

* Cablaggio/Wiring hardness: 490



ill. 612003p5.ai
Componenti elettrici / Electrical components

Da Ser.Nr./From Ser.nr.: /219...	Page: 5 Ed.2003-07	Doc. Nr.: 6-12 003
----------------------------------	--------------------	---------------------------

Модель: 400102 - LS5/1DP - UNDERC. DISHW.+DRAIN PUMP 540 P/H-1PHASE

Список запчастей Чертеж: 6-12003 Страница 5 - Electrical components

Поз.	Код запчасти	Alias Code	Заменена	Kit	S	И ф	Тех. Бюллетень	Описание	Заметки
0401	0L0047		0L0552					USER INTERFACE; NEW LS5/LS6	Up to ser nr:421 - From ser nr:422
0401	0L0552					D	CGX2005-10	USER INTERFACE BOARD	Up to ser nr:523 - From ser nr:524
0401	0L0726		0L1241					USER INTERFACE BOARD	Up to ser nr:622 - From ser nr:623
0401	0L1241							USER INTERFACE BOARD	Up to ser nr:742 - From ser nr:743
0401	0L1565		0L1626					USER INTERFACE BOARD; COMPLETE	
0402	002670				S			EXTENSION	Up to ser nr:742
0403	049621				S			REED SWITCH	
0404	049957							CRUSCOTTO	Up to ser nr:244
0404	0L0128							CONTROL PANEL	From ser nr:245 - Up to ser nr:806
0404	0L1667							CONTROL PANEL	From ser nr:807
0405	049956				S			MEMBRANE:LS5	Up to ser nr:806 f,g,h,k,q
0405	0L1663							ADHESIVE MEMBRANE; LS5	From ser nr:807 f,g,h,k,q
0406	0L1567		0L1626					COVERING; LS5-6	From ser nr:743
0407	0L1664							ADHESIVE; LS5/LS6	f,g,h,k,q,r,u
0409	0L1410		0L1810					MOTHERBOARD; DIWAP10 P	Up to ser nr:820 a,c,f,g,p,i,q,r,u,v,z,w,x
0409	0L1810				S			PCB; DIWAP10	From ser nr:821 a,c,f,g,p,i,q,r,u,v,z,w,x
0410	049303				S			RADIO INTERFERENCE FILTER	
0411	049981		0L0127					TERMINAL BOARD	Up to ser nr:244 a,c,f,g,p,i,q,r
0411	0L0127							JUNCTION BOX	From ser nr:245 a,c,f,g,p,i,q,r,u,v,z,w,x
0412	048429				S			BRACKET	
0413	049954				S			TANK HEATING ELEMENT	
0414	049580							SUPPORT	Up to ser nr:329
0414	0L0366							SUPPORT	From ser nr:330
0415	046376							O-RING	
0416	049643				S			TEMPERATURE PROBE	
0418	067620				S			O-RING F. ELEMENT	
0419	049980				S			HEATING ELEMENT	a,c,f,g,p,i,q,r,u,v,z,w,x
0420	046376							O-RING	From ser nr:328
0420	067898				S			O-RING	Up to ser nr:327
0421	067899				S			STUFFING BOX	Up to ser nr:327
0421	0L0280				S			STUFFING BOX	From ser nr:328
0422	049643				S			TEMPERATURE PROBE	From ser nr:328
0422	049884				S			TEMPERATURE PROBE	Up to ser nr:327
0423	065560				S			CAP COVER	
0425	049901				S			STRAINER	
0490	049979							WIRING HARNESS	a,c,f,g,p,i,q,r,u,v,z,w,x